



QUIK-DISCONNECT SELECTION GUIDE

- ◀ Cam-Operated Couplings provide easy access for the cleaning and installation of spray risers.
- ◀ They adapt to standard steel or non-corrosive risers and headers in sizes from 1" (25 mm) to 4" (100 mm) and are available in Ny-Glass, Poly-Glass or PVDF.

To make up a Quik-Disconnect junction

- ◀ You must have one female connector assembly (Part B, C, or D) which incorporates the cam-lock arms, and one male connector (Part A, E, or F) which is shaped to precisely fit into the socket on the mating part and be held securely against the sealing gasket by the unique cam-lock mechanism.
- ◀ The female connectors connect to your pipe system by an external NPT thread (Part B), an internal NPT thread (Part D) or a hose barb (Part C). The male connectors likewise connect to your pipes by an internal NPT thread (Part A), an external thread (Part F), or a hose barb (Part E). And, to cap off any section which terminates with a female connector, use the available plug (Part DP). The Quik-Disconnects can be combined with our Clamp-On Nozzles and Nozzle Adapters, Quik-Lock Formed Risers and Headers, Quik-Release Riser Supports, and Ball Valves to make up complete spray header systems that provide unparalleled ease of installation and use.
- ◀ To increase the value of your investment in Uni-Spray Quik-Disconnect couplings, we provide a complete line of replacement parts for the assemblies. It is no longer necessary to discard an entire assembly just because one part is broken. Refer to the following pages for complete information and specifications for the full Quik-Disconnect line.



Available Sizes

All Quik-Disconnect plastic components are colour-coded for convenient identification, and are available to fit the following pipe sizes:

(Inch / mm)		Thread Type	Poly-Glass	Ny-Glass	PVDF
1"	25 mm	NPT	Black	Yellow	White
1 1/4"	32 mm	BSP	Red	Yellow	White
1 1/2"	40 mm	BSP	Purple	Yellow	White
2"	50 mm	NPT	Black	Yellow	White
3"	75 mm	NPT	Black	Yellow	White
4"	100 mm	NPT	Black	Yellow	White

QUIK-DISCONNECT COUPLINGS AND ADAPTERS

Note: 1 1/4" through 1 1/2" Parts B, C, D and DC assemblies will be shipped with Ny-Glass Arms unless Stainless Steel Arms are requested. Assemblies are supplied complete with retaining clips.



PART A
ADAPTER x FT



PART B
COUPLER x MT



PART C
COUPLER x HOSE BARB



PART D
COUPLER x FT



PART E
ADAPTER x HOSE BARB



PART F
ADAPTER x MT



PART DP
PLUG



PART DC
CAP

Uni-Spray has been developing innovative products for industry since 1987. This continues to be a focus for the company's future. Please contact us with any new concepts.



Quik-Disconnect ORDERING INSTRUCTIONS

How To Order A Quik-Disconnect Coupler or Adapter:

The complete Part Number tells us exactly what assembly you want.

For example, let's say that you want to order a cam-operated Part D: Coupler x FT (Female Thread) molded in Poly-Glass, to fit on a 3" pipe:



STEP 1

The Part Number begins with UNI, followed by the pipe size:

- UNI 100 = 1" pipe
- UNI 125 = 1 1/4" pipe
- UNI 150 = 1 1/2 " pipe
- UNI 200 = 2" pipe
- UNI 300 = 3" pipe
- UNI 400 = 4" pipe

So in our example, we would have so far

UNI 300

STEP 2

Identify the Style of component as shown on page 20, using our Part Code, which in this example is Part D, and we have

UNI 300 D

STEP 3

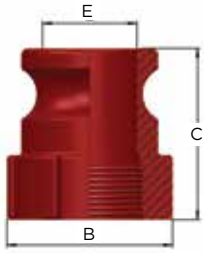
Finish the Part Number with the Material Code, as follows:

- NG = Ny-Glass
- PG = Poly-Glass
- K = PVDF

So in our example, we end up with

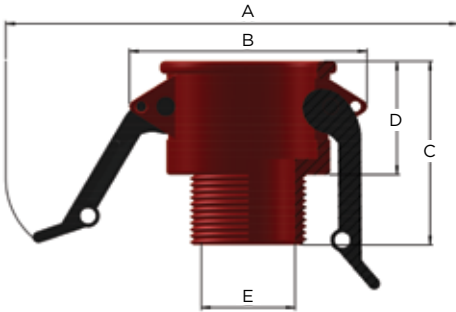
UNI 300 DPG

QUIK-DISCONNECT DIMENSIONS



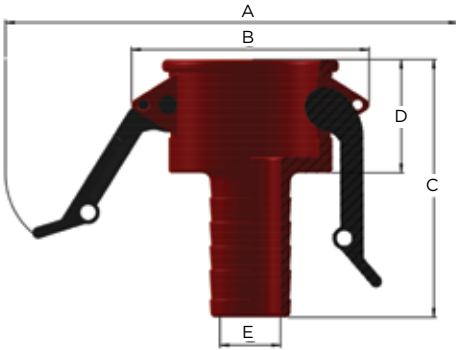
PART A: ADAPTER x FT

SIZE CODE	100	125	150	200	300	400
Size of Thread	1"	1 1/4"	1 1/2"	2"	3"	4"
C Overall Length	1 7/8"	2 3/4"	2 3/4"	2 15/16"	2 15/16"	3 3/4"
E Minimum I.D.	13/16"	1 7/16"	1 7/16"	1 11/16"	2 13/16"	3 3/4"
F Lug Extension	1 3/4"	2 1/2"	2 1/2"	3 1/16"	4 3/16"	5 1/4"



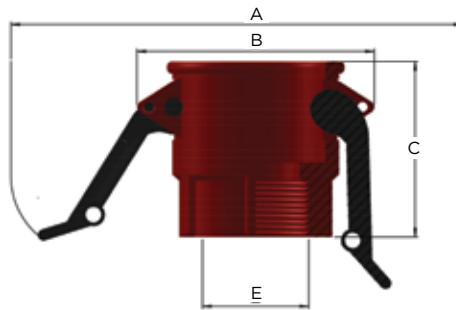
PART B: COUPLER x MT

SIZE CODE	100	125	150	200	300	400
Size of Thread	1"	1 1/4"	1 1/2"	2"	3"	4"
A O.D. with Arms Out	4 3/4"	8 3/16"	8 3/16"	8 11/16"	9 15/16"	11 1/16"
B Maximum O.D.	2 1/2"	3 3/4"	3 3/4"	4 1/16"	5"	6 9/16"
C Overall Length	2 1/2"	2 3/4"	2 3/4"	3 1/4"	3 5/16"	3 15/16"
D Exposed Length	1 9/16"	1 7/8"	1 7/8"	2 1/8"	2 3/8"	2 9/16"
E Minimum I.D.	7/8"	1 5/16"	1 1/2"	1 7/8"	2 7/8"	3 7/8"



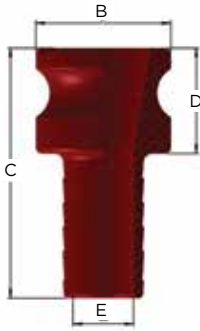
PART C: COUPLER x HOSE BARB

SIZE CODE	100	125	150	200	300	400
Size of Hose Barb	1 1/16"	1 3/8"	1 9/16"	2 1/16"	3"	4"
A O.D. with Arms Out	4 3/4"	8 3/16"	8 3/16"	8 11/16"	9 15/16"	11 1/16"
B Maximum O.D.	2 1/2"	3 3/4"	3 3/4"	4 1/16"	5"	6 9/16"
C Overall Length	3 13/16"	4 1/4"	4 1/4"	4 15/16"	6 5/16"	6 1/4"
D Exposed Length	1 9/16"	1 7/8"	1 7/8"	2 1/8"	2 3/8"	2 9/16"
E Minimum I.D.	13/16"	15/16"	1 3/16"	1 5/8"	2 9/16"	3 1/2"



PART D: COUPLER x FT

SIZE CODE	100	125	150	200	300	400
Size of Thread	1"	1 1/4"	1 1/2"	2"	3"	4"
A O.D. with Arms Out	4 3/4"	8 3/16"	8 3/16"	8 11/16"	9 15/16"	11 1/16"
B Maximum O.D.	2 1/2"	3 3/4"	3 3/4"	4 1/16"	5"	6 9/16"
C Overall Length	2 7/16"	2 3/4"	2 3/4"	3 1/4"	3 1/4"	4"
E Minimum I.D.	1"	1 1/2"	1 5/8"	1 11/16"	2 7/8"	3 7/8"



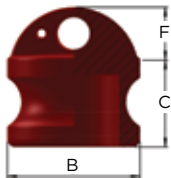
PART E: ADAPTER x HOSE BARB

SIZE CODE	100	125	150	200	300	400
Size of Hose Barb	1"	1 7/16"	1 7/16"	1 7/16"	1 7/16"	1 7/16"
B Maximum O.D.	1 7/16"	1 7/16"	1 7/16"	1 7/16"	1 7/16"	1 7/16"
C Overall Length	3 9/16"	1 7/16"	1 7/16"	1 7/16"	1 7/16"	1 7/16"
D Exposed Length	1 5/16"	1 7/16"	1 7/16"	1 7/16"	1 7/16"	1 7/16"
E Minimum I.D.	13/16"	1 7/16"	1 7/16"	1 7/16"	1 7/16"	1 7/16"



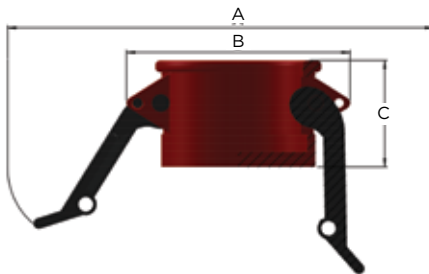
PART F: ADAPTER x MT

SIZE CODE	100	125	150	200	300	400
Size of Thread	1"	1 1/4"	1 1/2"	2"	3"	4"
C Overall Length	2 11/16"	3 1/8"	3 1/8"	3 1/2"	3 15/16"	4 9/16"
D Exposed Length	1 7/8"	2 1/8"	2 1/8"	2 5/16"	2 3/4"	3 3/16"
E Minimum I.D.	7/8"	1 5/16"	1 7/16"	1 7/8"	2 3/4"	3 7/8"
F Lug Extension	1 11/16"	2 9/16"	2 9/16"	3 1/16"	4 3/16"	5 3/16"



PART DP: PLUG

SIZE CODE	100	125	150	200	300	400
Nominal Pipe Size	1"	1 1/4"	1 1/2"	2"	3"	4"
C Overall Length	1 3/8"	1 7/16"	1 7/16"	1 15/16"	2 1/16"	2 3/16"
B Maximum O.D.	1 7/16"	2 1/8"	2 1/8"	2 1/2"	3 5/8"	4 11/16"
F Lug Extension	3/8"	7/16"	7/16"	3/8"	1/2"	1/2"












PART DC: CAP

SIZE CODE	100	125	150	200	300	400
Nominal Pipe Size	1"	1 1/4"	1 1/2"	2"	3"	4"
A O.D. with Arms Out	4 3/4"	8 3/16"	8 3/16"	8 11/16"	9 15/16"	11 1/16"
B Maximum O.D.	2 1/2"	3 3/4"	3 3/4"	4 1/16"	5"	6 9/16"
C Overall Length	1 5/8"	1 15/16"	1 15/16"	2 3/16"	2 3/8"	2 1/2"
F Lug Extension	3/8"	3/8"	3/8"	5/16"	5/8"	9/16"

QUIK-DISCONNECT REPLACEMENT PARTS

TO ORDER SPARE PARTS FOR YOUR ASSEMBLIES, USE THE PARTS GUIDE BELOW

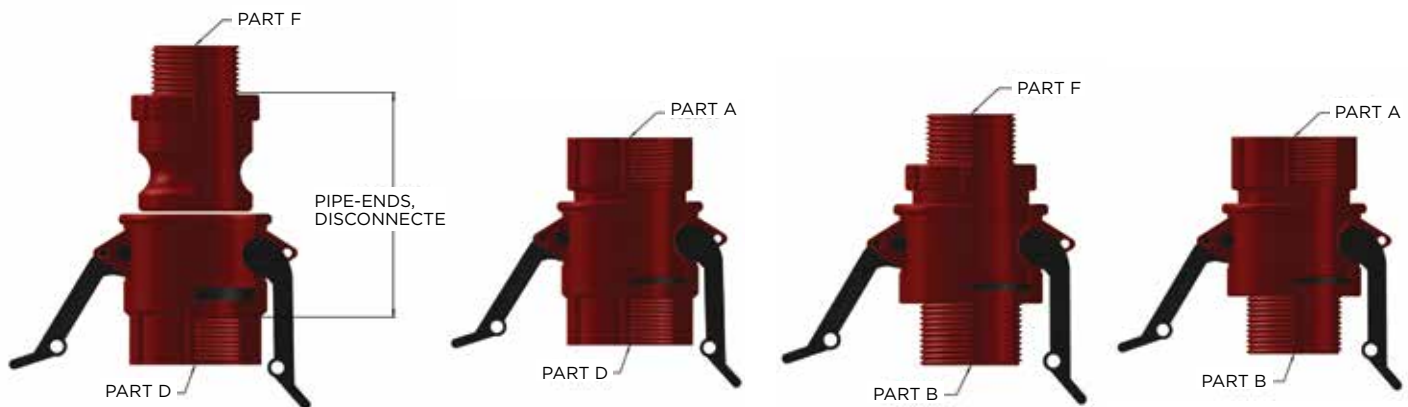
COMPONENT	1" / 25 MM	1 1/4" / 32 MM	1 1/2" / 40 MM	2" / 50 MM	3" / 75 MM	4" / 100 MM
PART D BODY: NY-GLASS OR PLOY-GLASS						
	UNI 100 DNG-B	UNI 125 DNG-B	UNI 150 DNG-B	UNI 200 DNG-B	UNI 300 DNG-B	UNI 400 DNG-B
	UNI 100 DPG-B	UNI 125 DPG-B	UNI 150 DPG-B	UNI 200 DPG-B	UNI 300 DPG-B	UNI 400 DPG-B
	UNI 100 DK-B	UNI 125 DK-B	UNI 150 DK-B	UNI 200 DK-B	(N/A)	(N/A)
PART C BODY: NY-GLASS OR POLY-GLASS						
	UNI 100 CNG-B	UNI 125 CNG-B	UNI 150 CNG-B	UNI 200 CNG-B	UNI 300 CNG-B	UNI 400 CNG-B
	UNI 100 CPG-B	UNI 125 CPG-B	UNI 150 CPG-B	UNI 200 CPG-B	UNI 300 CPG-B	UNI 400 CPG-B
	UNI 100 CK-B	UNI 125 CK-B	UNI 150 CK-B	UNI 200 CK-B	(N/A)	(N/A)
PART B BODY: NY-GLASS OR POLY-GLASS						
	UNI 100 BNG-B	UNI 125 BNG-B	UNI 150 BNG-B	UNI 200 BNG-B	UNI 300 BNG-B	UNI 400 BNG-B
	UNI 100 BPG-B	UNI 125 BPG-B	UNI 150 BPG-B	UNI 200 BPG-B	UNI 300 BPG-B	UNI 400 BPG-B
	UNI 100 BK-B	UNI 125 BK-B	UNI 150 BK-B	UNI 200 BK-B	(N/A)	(N/A)
PART DC BODY: NY-GLASS OR POLY-GLASS						
	UNI 100 DCNG-B	UNI 125 DCNG-B	UNI 150 DCNG-B	UNI 200 DCNG-B	UNI 300 DCNG-B	UNI 400 DCNG-B
	UNI 100 DCPG-B	UNI 125 DCPG-B	UNI 150 DCPG-B	UNI 200 DCPG-B	UNI 300 DCPG-B	UNI 400 DCPG-B
	UNI 100 DCK-B	UNI 125 DCK-B	UNI 150 DCK-B	UNI 200 DCK-B	(N/A)	(N/A)
GASKET, EPDM						
	UNI G 1	UNI G 2	UNI G 3	UNI G 4	UNI G 5	
CAM-LOCK ARM, NY-GLASS						
	(N/A)	UNI AP 1	UNI AP 2	(N/A)		
CAM-LOCK ARM 302 SS						
	UNI AS 1	UNI AS 2	UNI AS 3	UNI AS 4		
SPRING CLIP, 302 SS						
	UNI C 1	UNI C 2	UNI C 3	UNI R 1 (RING, 302 SS)		
PIN, 302 SS						
	UNI P 1	UNI P 2	UNI P 3	UNI P 4		

TO ORDER COMPLETE ASSEMBLIES, USE THE ORDERING INSTRUCTIONS ON PAGE 21

QUIK-DISCONNECT PIPE-END SEPARATION DISTANCES

Pipe-End Separation is the distance between the pipe ends being connected by means of the QUIK-DISCONNECT couplings.

The separation distance is given both as the distance when the couplers are engaged, and as the minimum distance required for disconnecting, assuming complete pipe thread engagement.



PIPE SIZE		D to F	D to A	B to F	B to A
1"	CONNECTED	2.320"	1.460"	5.000"	4.250"
	DISCONNECTED	3.500"	2.640"	6.250"	5.500"
1 1/4"	CONNECTED	2.680"	2.240"	4.625"	4.250"
	DISCONNECTED	4.060"	3.660"	5.875"	5.625"
1 1/2"	CONNECTED	2.440"	1.970"	4.625"	4.250"
	DISCONNECTED	3.860"	3.390"	5.875"	5.625"
2"	CONNECTED	2.720"	2.280"	5.625"	5.000"
	DISCONNECTED	4.450"	4.020"	7.250"	6.750"
3"	CONNECTED	5.375"	5.875"	5.000"	5.750"
	DISCONNECTED	7.000"	7.250"	6.500"	7.250"
4"	CONNECTED	7.125"	7.125"	7.125"	7.500"
	DISCONNECTED	8.875"	8.875"	8.875"	9.250"

TO ORDER COMPLETE ASSEMBLIES, USE THE ORDERING INSTRUCTIONS ON PAGE 21.